



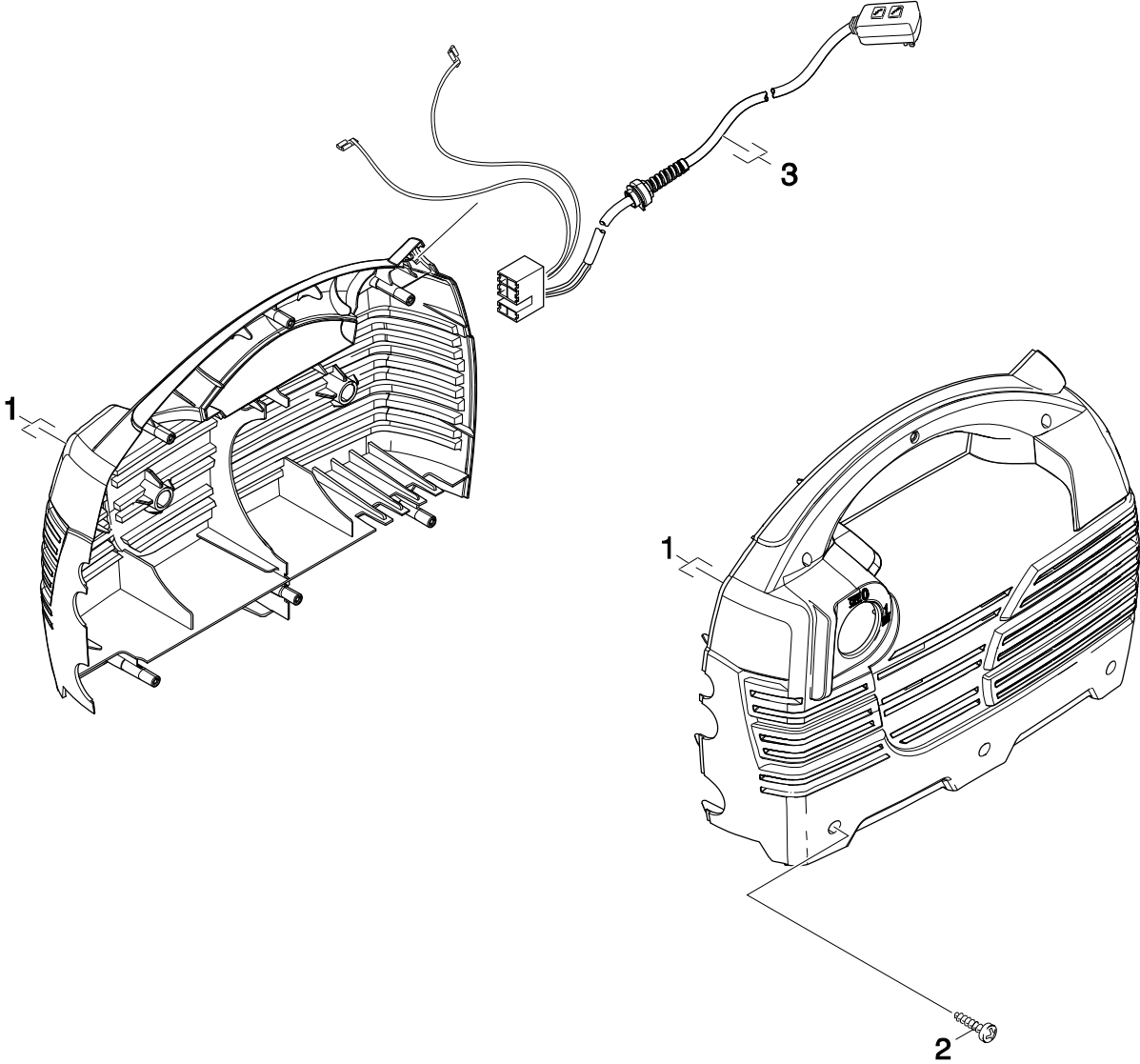
Ersatzteilliste
Spare Parts List
Liste des pieces de rechange

1.601-501.0 K 2.55

HOUSING



HOUSING



HOUSING

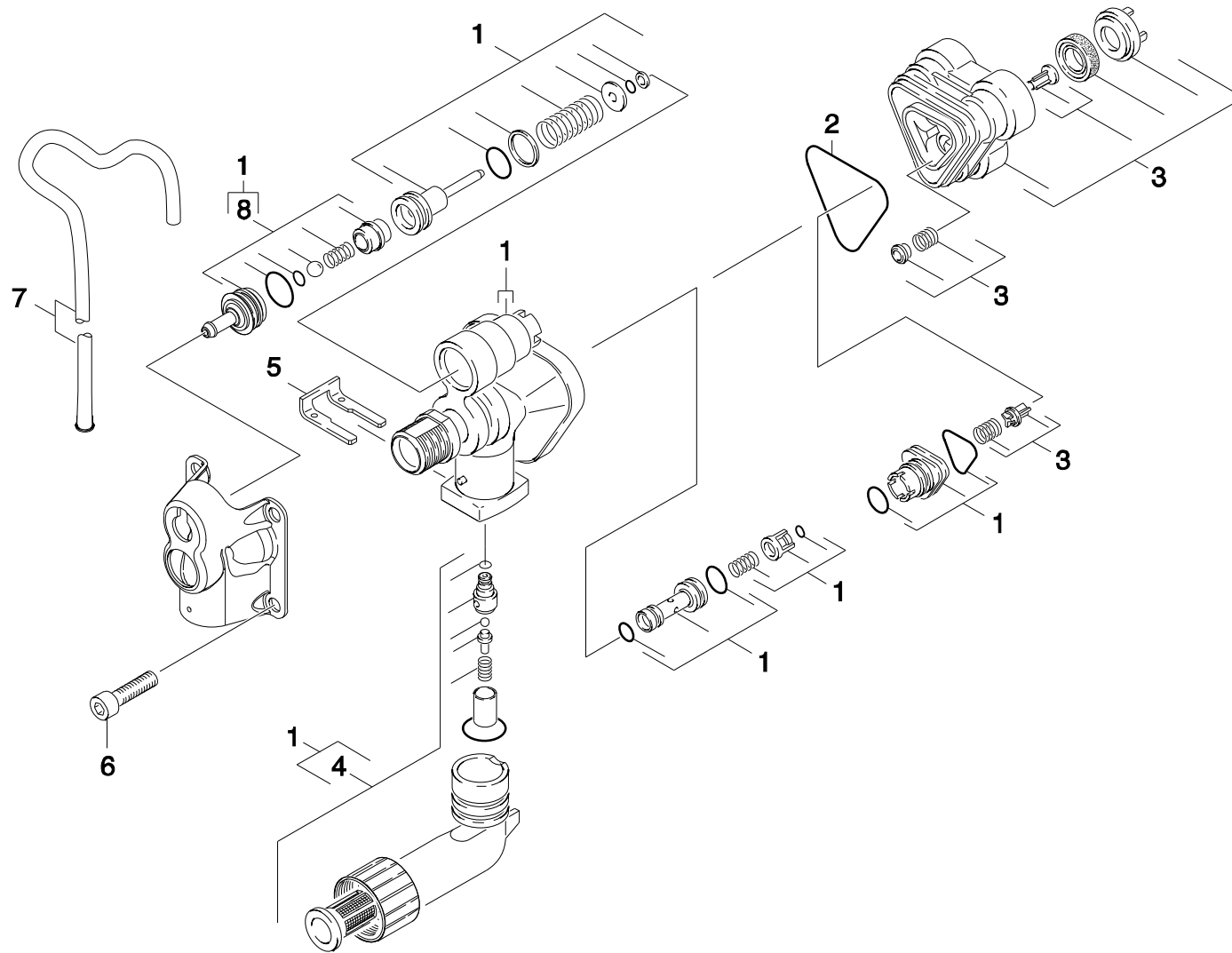
| POS ITM. POS. | BENENNUNG DESCRIPTION DESIGNATION | TEILE-NR PART-NO NO. PIECE | STCK QTY. NBR | AB WERK-NR FROM SERIAL-NO TO SERIAL-NO | BIS WERK-NR |
|---------------------|---|----------------------------------|---------------------|---|-------------|
|---------------------|---|----------------------------------|---------------------|---|-------------|

| | | | | | |
|------|--------------|-------------|-------|--|--|
| 0001 | Housing cpl. | 9.760-070.0 | 1,000 | | |
| 0002 | Screw | 9.086-173.0 | 7,000 | | |
| 0003 | Cable cpl. | 9.750-072.0 | 1,000 | | |

PUMP-SET



HOUSING

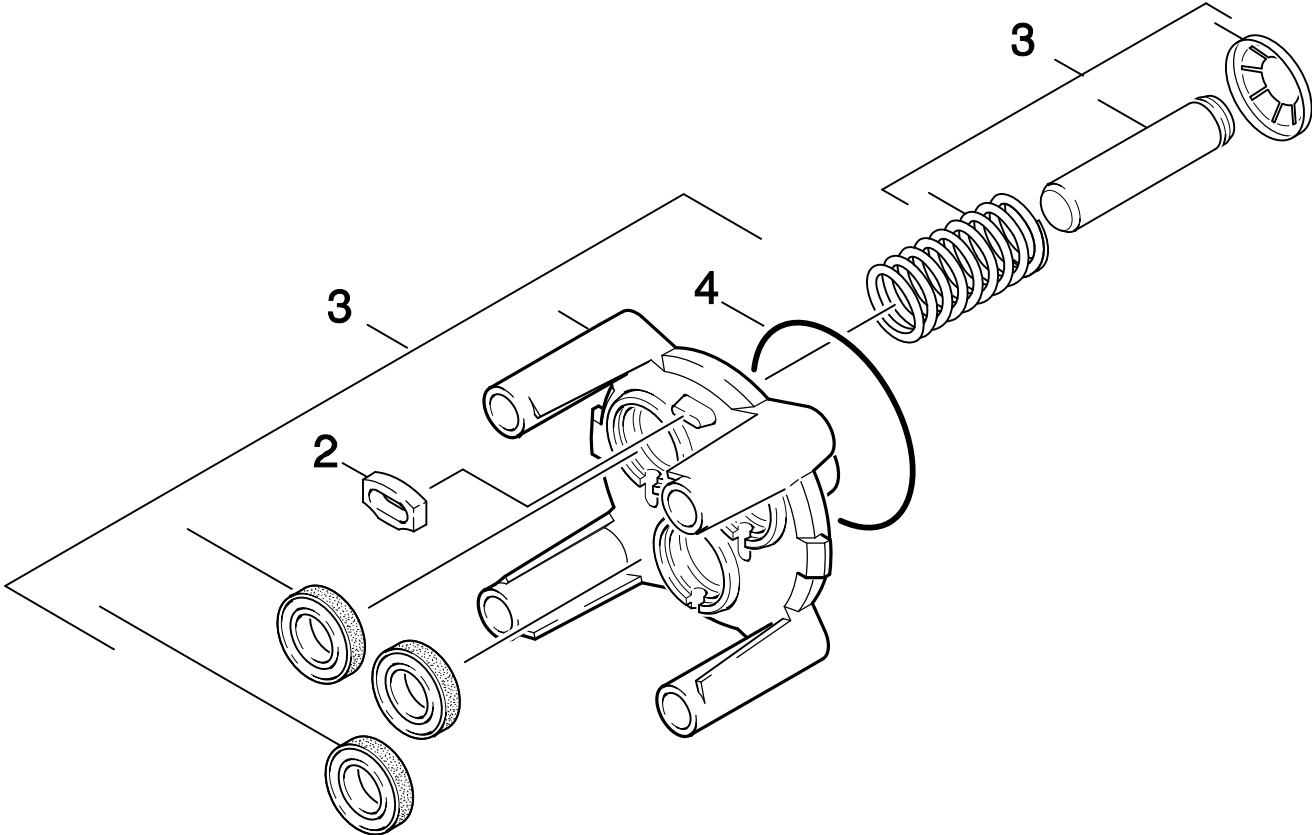


HOUSING

| POS ITM. POS. | BENENNUNG DESCRIPTION DESIGNATION | TEILE-NR PART-NO NO. PIECE | STCK QTY. NBR | AB WERK-NR FROM SERIAL-NO TO SERIAL-NO | BIS WERK-NR |
|---------------------|---|----------------------------------|---------------------|---|-------------|
|---------------------|---|----------------------------------|---------------------|---|-------------|

| | | | | | |
|------|------------------------------|-------------|-------|--|--|
| 0001 | Housing replacement complete | 9.750-077.0 | 1,000 | | |
| 0002 | FORM O-RING | 9.081-422.0 | 1,000 | | |
| 0003 | Cylinder head complete | 9.760-197.0 | 1,000 | | |
| 0004 | Suction cover | 9.750-076.0 | 1,000 | | |
| 0005 | Clamp | 9.039-148.0 | 1,000 | | |
| 0006 | SCREW M8x55 | 9.086-200.0 | 4,000 | | |
| 0007 | DETERGENT HOSE+FILTER | 9.011-911.0 | 1,000 | | |
| 0008 | Nipple chemistry complete | 9.750-058.0 | 1,000 | | |

THRUST GUIDANCE



THRUST GUIDANCE

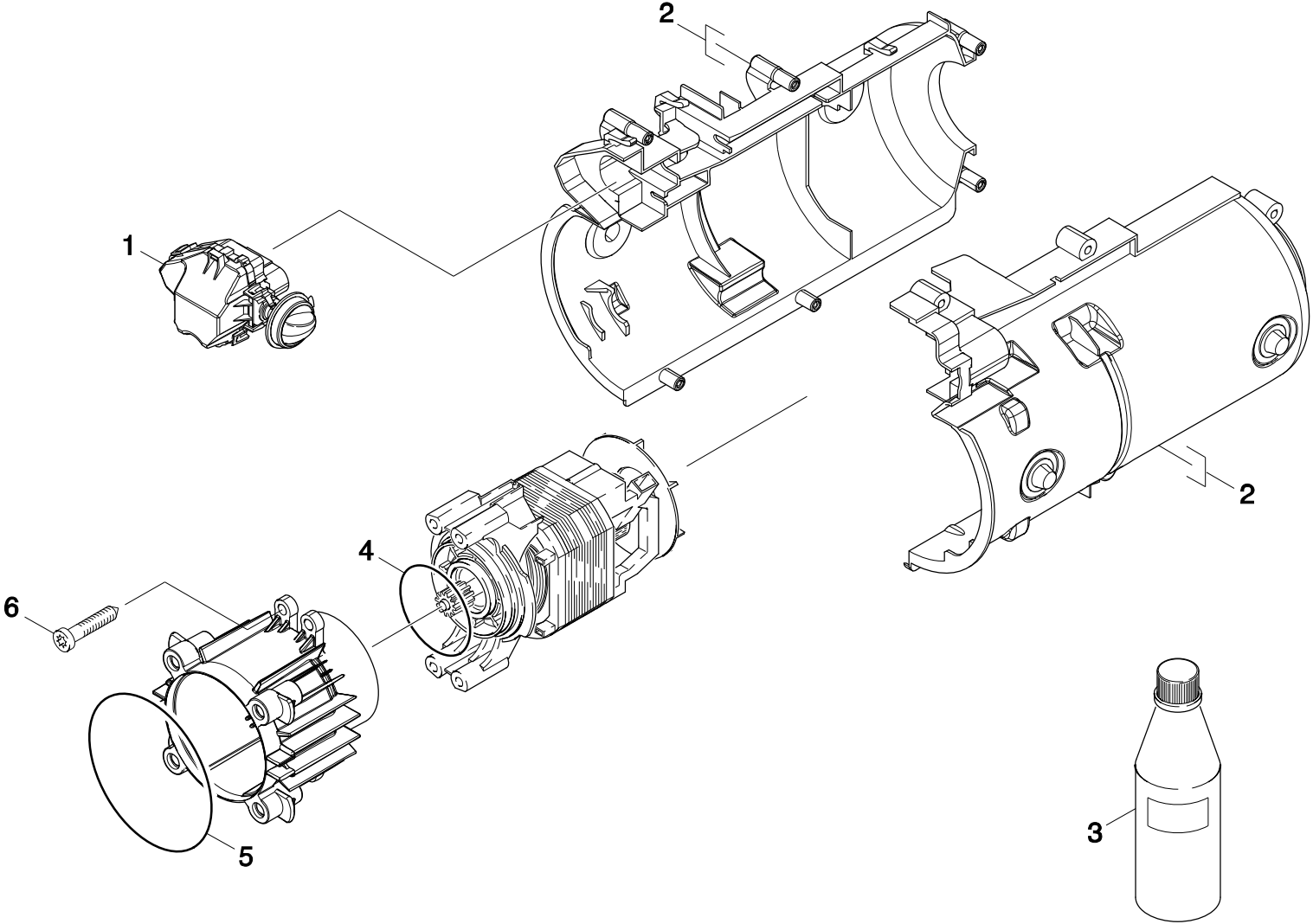
| POS ITM. POS. | BENENNUNG DESCRIPTION DESIGNATION | TEILE-NR PART-NO NO. PIECE | STCK QTY. NBR | AB WERK-NR FROM SERIAL-NO TO SERIAL-NO | BIS WERK-NR |
|---------------------|---|----------------------------------|---------------------|---|-------------|
|---------------------|---|----------------------------------|---------------------|---|-------------|

| | | | | | |
|------|--------------------------------------|-------------|-------|--|--|
| 0002 | SPACER | 9.048-071.0 | 1,000 | | |
| 0003 | Thrust guidance replacement complete | 9.750-078.0 | 1,000 | | |
| 0004 | O RING | 6.362-902.0 | 1,000 | | |

MOTOR



MOTOR



MOTOR

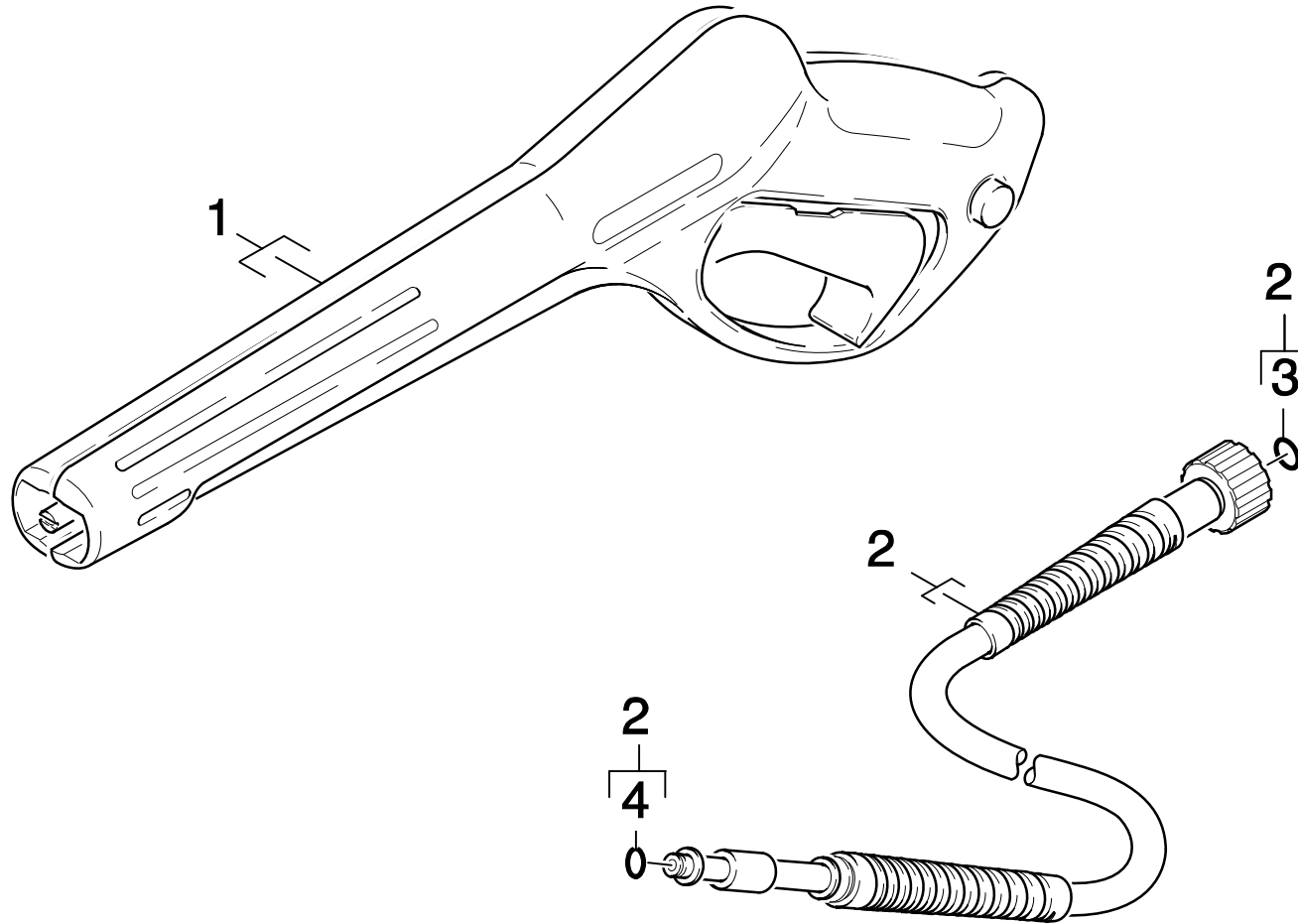
| POS ITM. POS. | BENENNUNG DESCRIPTION DESIGNATION | TEILE-NR PART-NO NO. PIECE | STCK QTY. NBR | AB WERK-NR FROM SERIAL-NO TO SERIAL-NO | BIS WERK-NR |
|---------------------|---|----------------------------------|---------------------|---|-------------|
|---------------------|---|----------------------------------|---------------------|---|-------------|

| | | | | | |
|------|-----------------------------------|-------------|-------|--|--|
| 0001 | Electric box replacement complete | 9.750-080.0 | 1,000 | | |
| 0002 | Housing motor replacement | 9.750-079.0 | 1,000 | | |
| 0003 | Engine Oil 1 LTR | 6.288-112.0 | 1,000 | | |
| 0004 | GASKET | 6.362-979.0 | 1,000 | | |
| 0005 | O RING | 6.362-902.0 | 1,000 | | |
| 0006 | SCREW | 6.303-260.0 | 4,000 | | |

ACCESSORIES



TRIGGER GUN

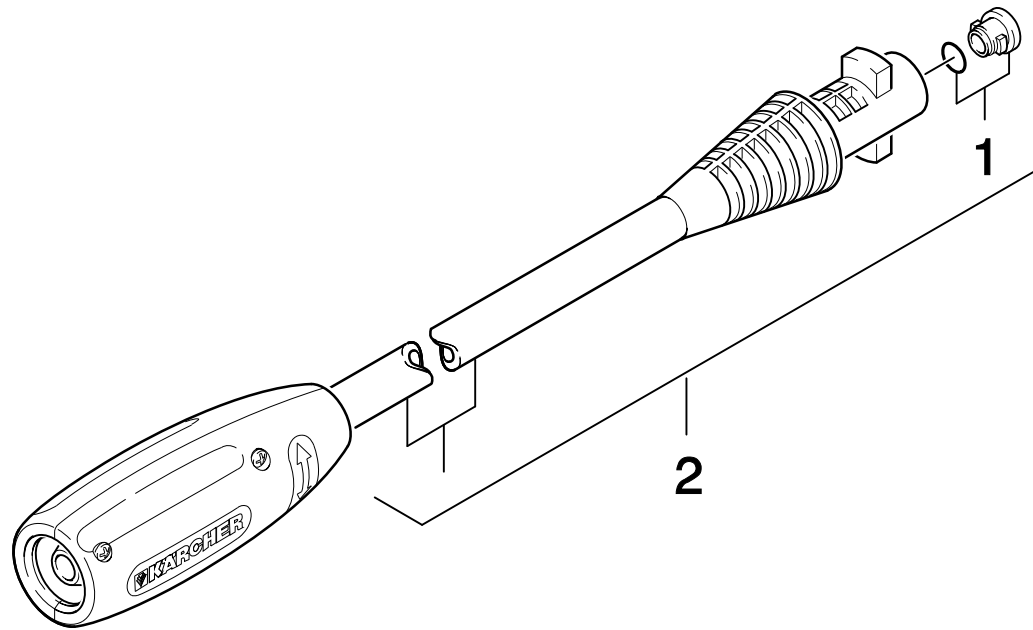


TRIGGER GUN

| POS ITM. POS. | BENENNUNG DESCRIPTION DESIGNATION | TEILE-NR PART-NO NO. PIECE | STCK QTY. NBR | AB WERK-NR FROM SERIAL-NO TO SERIAL-NO | BIS WERK-NR |
|---------------------|---|----------------------------------|---------------------|---|-------------|
|---------------------|---|----------------------------------|---------------------|---|-------------|

| | | | | | |
|------|------------|-------------|-------|--|--|
| 0001 | PISTOL | 4.775-331.0 | 1,000 | | |
| 0002 | H P HOSE | 6.390-261.0 | 1,000 | | |
| 0003 | O RING SET | 2.880-154.0 | 1,000 | | |
| 0004 | Gasket | 6.362-498.0 | 1,000 | | |

JET-PIPE



JET-PIPE

| POS ITM. POS. | BENENNUNG DESCRIPTION DESIGNATION | TEILE-NR PART-NO NO. PIECE | STCK QTY. NBR | AB WERK-NR FROM SERIAL-NO TO SERIAL-NO | BIS WERK-NR |
|---------------------|---|----------------------------------|---------------------|---|-------------|
|---------------------|---|----------------------------------|---------------------|---|-------------|

| | | | | | |
|------|-------------------|-------------|-------|--|--|
| 0001 | GASKET | 2.640-729.0 | 1,000 | | |
| 0002 | VPS K2 028 (2003) | 4.760-543.0 | 1,000 | | |